



Tel: +86-755-28282235

Fax: 86-0755-28282035

E-mail: market@semilight.com

Website: http://www.semilight.com

◆LED high bay light series/ LED工矿灯系列

Main features

- ◇The light source is integrated high power LED with high luminous efficacy. The Maximum luminous efficacy can be up to 110LM/W. There are four grades of luminous efficacy for option: 80LM/W; 90LM/W; 100LM/W, 110LM/W; Low light decay and long service life.
- ◇The light body is composed of electrical box, radiator and lampshade. The lampshade is made with high quality section aluminum. The radiator has adopted unique heat dissipation structure design. The surface is treated by anticathode oxidation. There is built-in driver and wide input voltage (AC85~265V). The efficiency of the driver is higher than 83%. It is constant output current. The power factor is higher than 0.94. Constant output current, high power factor, avoid harmonic pollution to the power system.
- ◇It is excellent in stability and has passed CE, FCC, IEC, RoHS certification.
- ◇There is waterproof washer at the junction of the fittings. The pouring sealant is used for waterproof treatment. The waterproof performance is excellent.
- ◇Available color for radiator: Silver white and black.

主要特点

- ◇光源采用集成大功率LED，高光效；最高可以达到110LM/W，四种光效的LED光源供用户选择：80LM/W；90LM/W；100LM/W；110LM/W；LED光衰小，使用寿命长；
- ◇灯体分为电器箱，散热器和灯罩三大部分，灯罩采用高质量铝型材旋压而成，散热器采用独特的散热结构设计，灯体表面作阳极氧化处理，驱动电源内置，宽电压输入(AC85-265V)，驱动电源效率>83%，恒流输出，功率因数PF>0.94，避免对电网造成谐波污染；
- ◇产品稳定性好，通过CE, FCC, IEC, RoHS认证；
- ◇配件结合处加有防水垫圈、并加灌密封胶作防水处理；防水特性好；
- ◇灯具散热器颜色：银白色，黑色可选。

30W/40W Product parameter:



Part number	Power	LED Quantity	Input Voltage	Luminous efficiency	Material	Beam Angle	Protective level
SEM-HB30-NB	30W	1PCS	Built-in Driver AC85-265V/50/60HZ Or DC12V/24V	80LM/W 90LM/W 100LM/W 110LM/W	Aluminum, Glass	45° 90° 120°	IP65
SEM-HB50-NB	40W	1PCS	Power factor: >0.94 Power Efficiency: >0.83				



Tel: +86-755-28282235

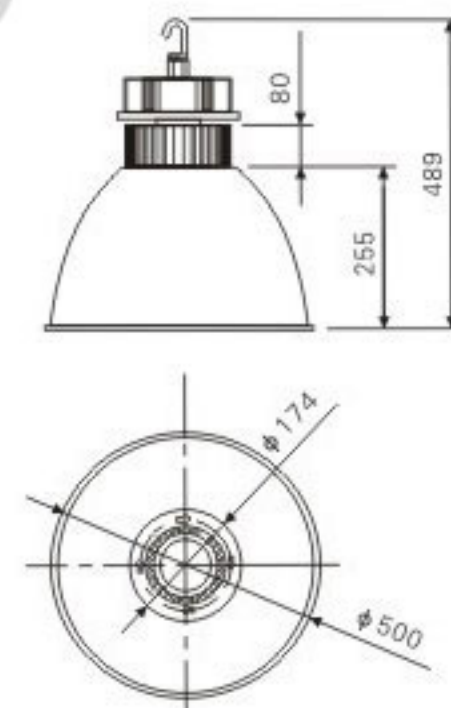
Fax: 86-0755-28282035

E-mail: market@semlight.com

Website: http://www.semlight.com

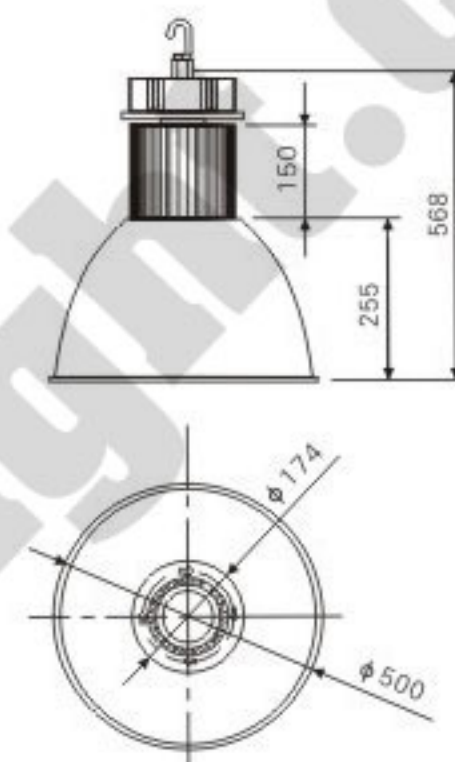
◆LED high bay light series/ LED工矿灯系列

50W/60W Product parameter:



Part number	Power	LED Quantity	Input Voltage	Luminous efficiency	Material	Beam Angle	Protective level
SEM-HB50-NB	50W	1PCS	Built-in Driver AC85-265V/50/60HZ Power factor: >0.94 Power Efficiency: >0.83	80LM/W 90LM/W 100LM/W 110LM/W	Aluminum, Glass	45° 90° 120°	IP65
SEM-HB60-NB	60W	1PCS					

70/80W roduct parameter:



Part number	Power	LED Quantity	Input Voltage	Luminous efficiency	Material	Beam Angle	Protective level
SEM-HB70-NB	70W	1PCS	Built-in Driver AC85-265V/50/60HZ Power factor: >0.94 Power Efficiency: >0.83	80LM/W 90LM/W 100LM/W 110LM/W	Aluminum, Glass	45° 90° 120°	IP65
SEM-HB80-NB	80W	1PCS					



Tel: +86-755-28282235

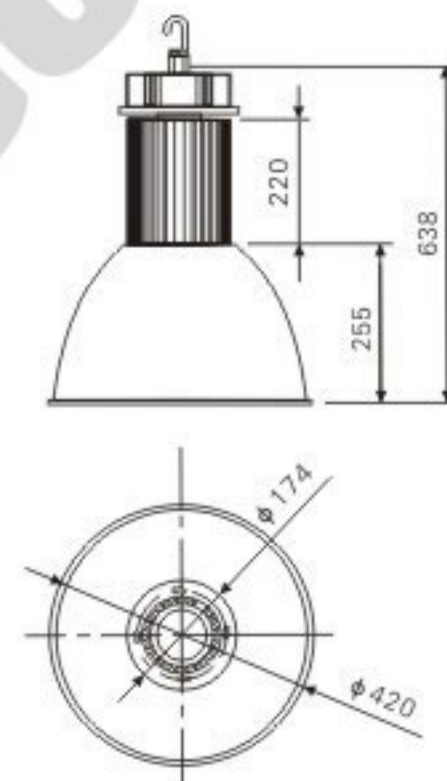
Fax: 86-0755-28282035

E-mail: market@semlight.com

Website: http://www.semlight.com

◆LED high bay light series/ LED工矿灯系列

90W/100W Product parameter:



Part number	Power	LED Quantity	Input Voltage	Luminous efficiency	Material	Beam Angle	Protective level
SEM-HB90-NB	90W	1PCS	Built-in Driver AC85-265V/50/60HZ	80LM/W 90LM/W 100LM/W 110LM/W	Aluminum, Glass	45° 90° 120°	IP65
SEM-HB100-NB	100W	1PCS	Power factor: >0.94 Power Efficiency: >0.83				

110W/120W Product parameter:

Part number	Power	LED Quantity	Input Voltage	Luminous efficiency	Material	Beam Angle	Protective level
SEM-HB110-NB	110W	1PCS	Built-in Driver AC85-265V/50/60HZ	80LM/W 90LM/W 100LM/W 110LM/W	Aluminum, Glass	45° 90° 120°	IP65
SEM-HB120-NB	120W	1PCS	Power factor: >0.94 Power Efficiency: >0.83				

